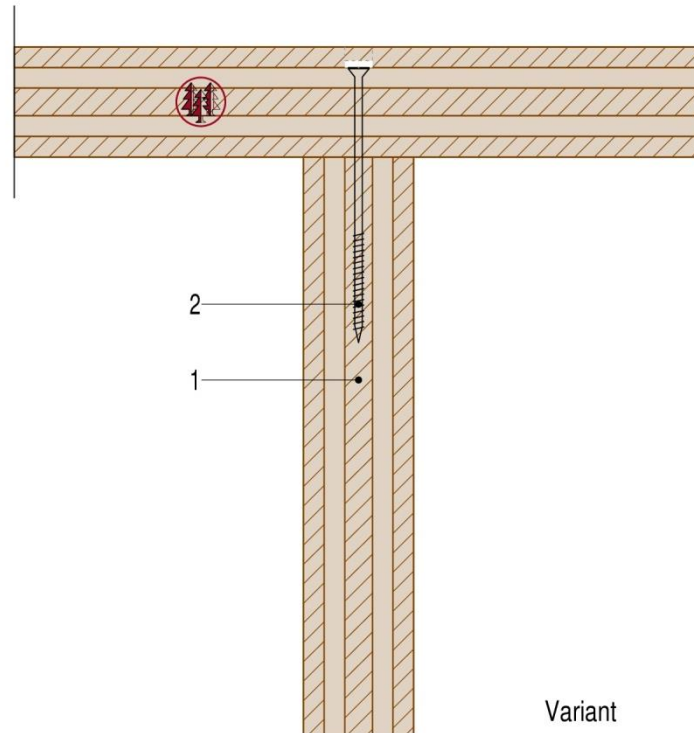


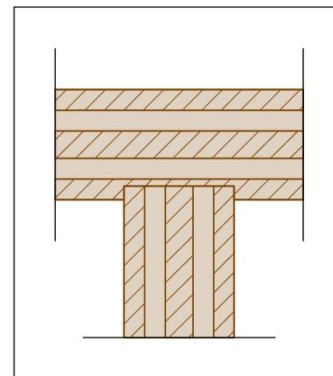
## 2.3 Detail of interior wall 'T'-connection

### Variant 1



- 1 CLT panel (according to statics)
- 2 Assembly screws

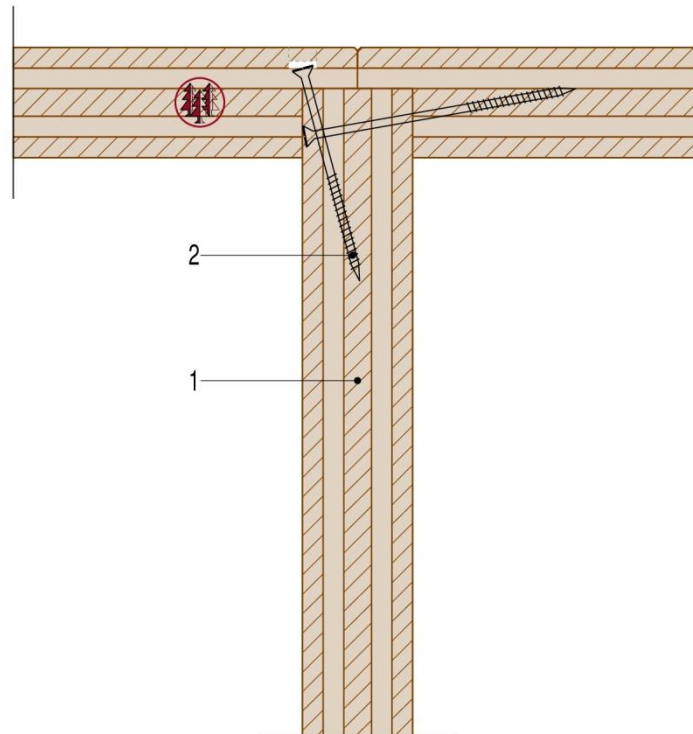
### Variant



This detail can be applied to single-storey or multi-storey wooden buildings. It serves as an aid and does not replace a building concept. The detail must be adapted according on static, building physics and fire safety requirements. Variants with different products are possible. Our technical office is at your disposal for any questions you may have.

## 2.3 Detail of interior wall 'T'-connection

### Variant 2



- 1 CLT panel (according to statics)
- 2 Assembly screws

Please note the assembly sequence

This detail can be applied to single-storey or multi-storey wooden buildings. It serves as an aid and does not replace a building concept. The detail must be adapted according to static, building physics and fire safety requirements. Variants with different products are possible. Our technical office is at your disposal for any questions you may have.